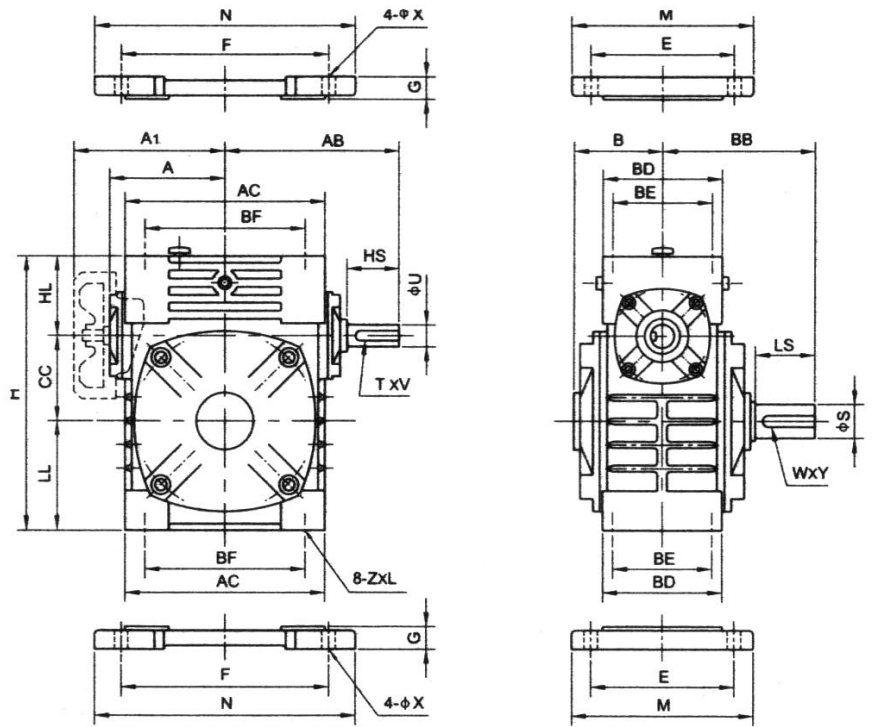


BH



Size	Ratio	A	A	AB	AC	B	BB	BD	BE	BF	CC	H	HL	LL	Z	L	
40	5:1	2.58		3.78	3.94	1.85	3.31	2.68	2.13	3.15	1.575	5.00	1.34	2.09	5/16-18	0.63	
50		2.85		4.13	4.48	2.08	3.82	2.72	1.97	3.54	1.969	5.91	1.38	2.56	5/16-18	0.63	
60		3.15		4.72	5.00	2.20	4.33	2.99	2.13	3.94	2.362	6.97	1.65	2.95	3/8-16	0.75	
63		10:1	3.37		5.08	5.51	2.36	4.45	3.46	2.69	4.87	2.480	7.32	1.89	2.95	3/8-16	0.75
70		15:1	3.76		5.51	6.10	2.52	5.12	3.31	2.56	4.92	2.756	8.46	2.16	3.54	3/8-16	0.75
80		20:1	4.11		6.30	6.69	2.85	5.51	3.94	2.76	5.51	3.150	9.84	2.56	4.13	3/8-16	0.75
100		30:1	4.78		7.00	8.03	3.33	6.42	4.49	3.54	7.09	3.937	12.20	3.15	5.12	1/2-13	0.94
120		40:1	6.10	8.26	9.06	10.24	3.94	7.28	5.04	3.94	8.66	4.724	14.57	3.74	6.10	1/2-13	0.94
135		50:1	6.89	9.06	10.24	11.65	4.33	8.27	5.91	4.33	10.24	5.315	16.73	4.13	7.28	5/8-11	1.13
155		60:1	7.64	10.24	11.89	12.99	5.20	9.92	6.69	4.72	11.02	6.102	18.15	4.05	7.99	5/8-11	1.13
175		8.78	11.42	12.80	14.57	5.71	10.31	7.32	5.51	12.60	6.890	20.51	4.84	8.78	3/4-10	1.38	
200		9.61	12.60	13.78	16.30	6.89	12.01	9.06	5.91	14.17	7.874	22.64	5.12	9.65	3/4-10	1.38	

Size	Input Shaft			Output Shaft			With Horizontal Base					
	U	HS	T x V	S	LS	W x V	E	F	M	N	G	X
40	0.500	1.10	1/8 1/16	0.625	1.38	3/16 3/32	3.54	3.94	4.33	4.92	0.51	0.39
50	0.625	1.18	3/16 3/32	0.750	1.57	3/16 3/32	3.74	4.33	4.72	5.51	0.59	0.43
60	0.750	1.57	3/16 3/32	1.000	1.97	1/4 1/8	4.13	4.72	5.12	5.91	0.71	0.43
63	0.750	1.57	3/16 3/32	1.000	1.97	1/4 1/8	4.33	5.91	5.51	7.09	0.71	0.43
70	0.875	1.57	3/16 3/32	1.125	2.36	1/4 1/8	4.53	5.91	5.91	7.48	0.71	0.59
80	1.125	1.97	1/4 1/8	1.375	2.56	5/16 5/32	5.31	7.09	6.69	8.66	0.71	0.59
100	1.375	1.97	5/16 5/32	1.500	2.95	3/8 3/16	6.10	8.66	7.48	10.63	0.79	0.59
120	1.500	2.56	3/8 3/16	1.750	3.35	3/8 3/16	7.09	10.24	9.06	12.60	0.98	0.71
135	1.625	2.95	3/8 3/16	2.250	3.74	1/2 1/4	7.87	11.42	9.84	13.78	1.18	0.71
155	1.625	3.35	3/8 3/16	2.500	4.33	5/8 5/16	8.66	12.60	11.02	14.96	1.26	0.79
175	1.875	3.35	1/2 1/4	2.750	4.33	5/8 5/16	9.84	13.78	12.20	16.14	1.46	0.79
200	2.000	3.74	1/2 1/4	2.875	4.92	3/4 3/8	11.42	13.78	14.17	17.13	1.77	0.87